

ECS 332: Principles of Communications**2018/1**

HW 6 — Due: November 9, 4 PM

*Lecturer: Prapun Suksompong, Ph.D.***Instructions**

- (a) This assignment has 10 pages.
- (b) (1 pt) Work and write your answers **directly on these sheets** (not on other blank sheets of paper). Hard-copies are distributed in class.
- (c) (1 pt) Write your first name and the last three digits of your student ID on the upper-right corner of this page.
- (d) (8 pt) Try to solve all non-optional problems.
- (e) Carefully write down all the steps that you have done to obtain your answers. You may not get full credit even when your answer is correct without showing how you get your answer.

Problem 1. Consider an AM transmitter.

- (a) Suppose the message is $m(t) = 4 \cos(10\pi t)$ and the transmitted signal is

$$x_{\text{AM}}(t) = A \cos(100\pi t) + m(t) \cos(100\pi t).$$

Find the value of A which yields the modulation index in each part below.

- (i) $\mu = 50\%$
- (ii) $\mu = 100\%$
- (iii) $\mu = 150\%$

- (b) Suppose the message is $m(t) = \alpha \cos(10\pi t)$ and the transmitted signal is

$$x_{\text{AM}}(t) = 4 \cos(100\pi t) + m(t) \cos(100\pi t).$$

Find the value of α which yields the modulation index in each part below.

- (i) $\mu = 50\%$
- (ii) $\mu = 100\%$
- (iii) $\mu = 150\%$

Problem 2. Recall that, in QAM system, the transmitted signal is of the form

$$x_{\text{QAM}}(t) = m_1(t) \sqrt{2} \cos(2\pi f_c t) + m_2(t) \sqrt{2} \sin(2\pi f_c t).$$

We want to express x_{QAM} in the form

$$x_{\text{QAM}}(t) = \sqrt{2}E(t) \cos(2\pi f_c t + \phi(t)),$$

where $E(t) \geq 0$ and $\phi(t) \in (-180^\circ, 180^\circ]$. (This shows that QAM can be expressed as a combination of amplitude modulation and phase modulation.)

Consider $m_1(t)$ and $m_2(t)$ plotted in Figure 6.1.

Draw the corresponding $E(t)$ and $\phi(t)$.

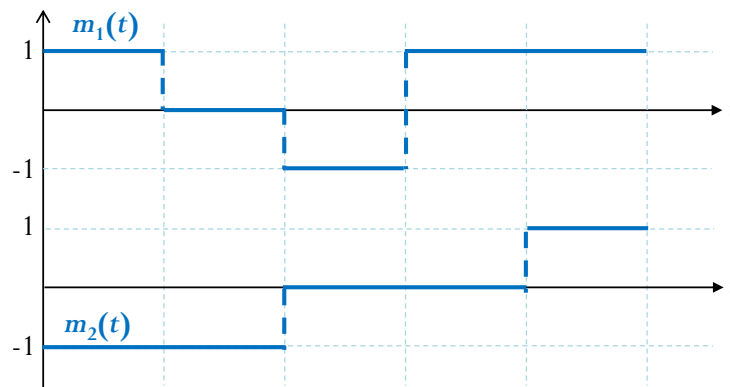


Figure 6.1: $m_1(t)$ and $m_2(t)$ for Problem 2

Extra Questions

Here are some optional questions for those who want more practice.

Problem 3. You are asked to design a DSB-SC modulator to generate a modulated signal $km(t) \cos(2\pi f_c t)$, where $m(t)$ is a signal band-limited to B Hz. Figure 6.2 shows a DSB-SC modulator available in the stockroom. Note that, as usual, $\omega_c = 2\pi f_c$. The carrier generator available generates not $\cos(2\pi f_c t)$, but $\cos^3(2\pi f_c t)$. Explain whether you would be able to generate the desired signal using only this equipment. You may use any kind of filter you like. [Lathi and Ding, 2009, Q4.2-3]

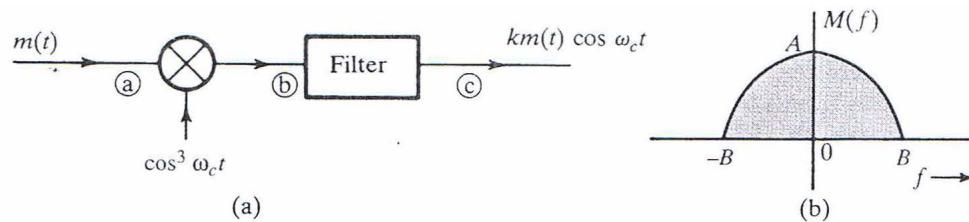


Figure 6.2: Problem 3

- (a) We know that a real-valued signal $r(t)$ that is even and periodic with period T_0 can be expanded using Fourier series into

$$r(t) = c_0 + a_1 \cos(2\pi f_0 t) + a_2 \cos(2\pi(2f_0)t) + a_3 \cos(2\pi(3f_0)t) + \dots \quad (6.1)$$

where $f_0 = \frac{1}{T_0}$. Consider the signal $r(t) = \cos^3(2\pi f_c t)$.

- (i) Is it periodic?
- (ii) Is it even?
- (iii) Expand $r(t) = \cos^3(2\pi f_c t)$ into a linear combination of $\cos(2\pi(nf_c)t)$ as in (6.1) above.

(b) What kind of filter is required in Figure 6.2?

(c) Determine the signal spectra at points (b) and (c) in Figure 6.2, and indicate the frequency bands occupied by these spectra.

(d) What is the minimum usable value of f_c ?

(e) Would this scheme work if the carrier generator output were $\cos^2(2\pi f_c t)$? Explain.

Problem 4. Consider the basic DSB-SC transceiver with time-delay channel presented in class. Recall that the input of the receiver is

$$x(t - \tau) = m(t - \tau) \sqrt{2} \cos(\omega_c(t - \tau))$$

where $m(t) \xrightleftharpoons[\mathcal{F}^{-1}]{\mathcal{F}} M(f)$ is bandlimited to B , i.e., $|M(f)| = 0$ for $|f| > B$. We also assume that $f_c \gg B$.

- (a) Suppose that, at the receiver, we multiply by $\sqrt{2} \cos((\omega_c t) - \theta)$ instead of $\sqrt{2} \cos(\omega_c t)$ as illustrated in Figure 6.3. Assume

$$H_{LP}(f) = \begin{cases} 1, & |f| \leq B \\ 0, & \text{otherwise.} \end{cases}$$

Find $\hat{m}(t)$ (the output of the LPF).

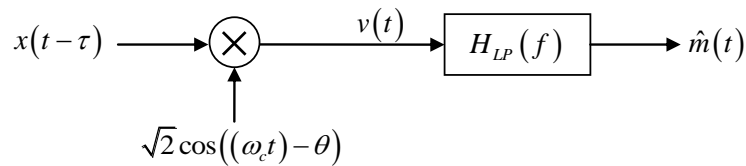


Figure 6.3: Receiver for Problem 4a

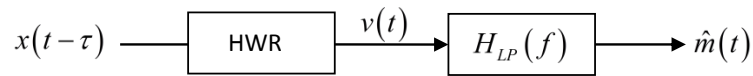


Figure 6.4: Receiver for Problem 4b

- (b) Use the same assumptions as part (a). However, at the receiver, instead of multiplying by $\sqrt{2} \cos((\omega_c t) - \theta)$, we pass $x(t - \tau)$ through a half-wave rectifier (HWR) as shown in Figure 6.4b.

Make an extra assumption that $m(t) \geq 0$ for all time t and that the half-wave rectifier input-output relation is described by a function $f(\cdot)$:

$$f(x) = \begin{cases} x, & x \geq 0, \\ 0, & x < 0. \end{cases}$$

Find $\hat{m}(t)$ (the output of the LPF).

Problem 5 (M2011Q7). Suppose $m(t) \xleftrightarrow[\mathcal{F}^{-1}]{\mathcal{F}} M(f)$ is bandlimited to W , i.e., $|M(f)| = 0$ for $|f| > W$. Consider a DSB-SC transceiver shown in Figure 6.5.

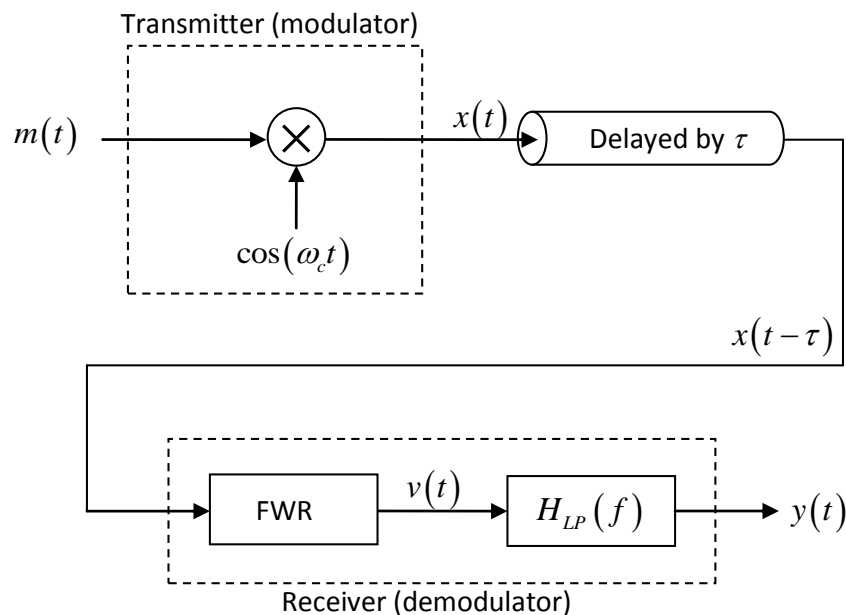


Figure 6.5: A DSB-SC transceiver

Also assume that $f_c \gg W$ and that $H_{LP}(f) = \begin{cases} 1, & |f| \leq W \\ 0, & \text{otherwise.} \end{cases}$

Make an extra assumption that $m(t) \geq 0$ for all time t and that the full-wave rectifier (FWR) input-output relation is described by a function $f_{FWR}(\cdot)$:

$$f_{FWR}(x) = \begin{cases} x, & x \geq 0, \\ -x, & x < 0. \end{cases}$$

- (a) Recall that the **half**-wave rectifier input-output relation is described by a function $f_{HWR}(\cdot) : f_{HWR}(x) = \begin{cases} x, & x \geq 0, \\ 0, & x < 0. \end{cases}$ We have seen in Problem 4b that when the

receiver uses **half**-wave rectifier,

$$v(t) = x(t - \tau) \times g_{HWR}(t - \tau)$$

where $g_{HWR}(t) = 1 [\cos(\omega_c t) \geq 0]$.

- (i) The receiver in this question uses **full**-wave rectifier. Its $v(t)$ can be described in a similar manner; that is

$$v(t) = x(t - \tau) \times g_{FWR}(t - \tau).$$

Find $g_{FWR}(t)$. Hint: $g_{FWR}(t) = c_1 \times g_{HWR}(t) + c_2$ for some constants c_1 and c_2 . Find these constants.

(ii) Recall that the Fourier series expansion of $g_{HWR}(t)$ is given by

$$g_{HWR}(t) = \frac{1}{2} + \frac{2}{\pi} \left(\cos \omega_c t - \frac{1}{3} \cos 3\omega_c t + \frac{1}{5} \cos 5\omega_c t - \frac{1}{7} \cos 7\omega_c t + \dots \right).$$

Find the Fourier series expansion of $g_{FWR}(t)$.

(b) Find $y(t)$ (the output of the LPF).

Problem 6. Would the scheme in Problem 3 work if the carrier generator output were $\cos^n \omega_c t$ for any integer $n \geq 2$?