

Chapter 3, Problem 41.

Apply mesh analysis to find i_o in Fig. 3.87.

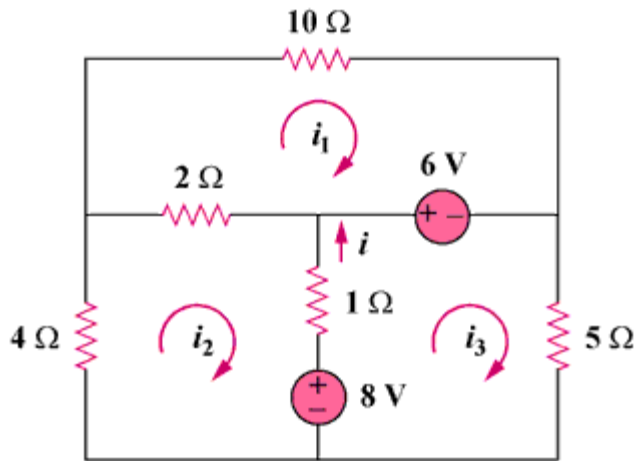


Figure 3.87

Chapter 3, Problem 43.

Use mesh analysis to find v_{ab} and i_o in the circuit in Fig. 3.89.

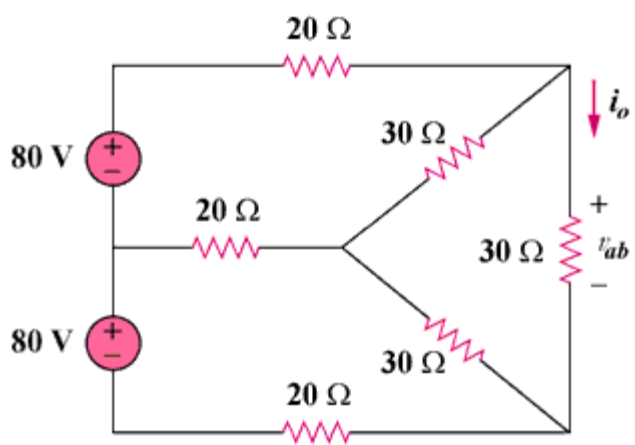


Figure 3.89

Chapter 3, Problem 46

3.46 Solve for the mesh currents in Fig. 3.92.

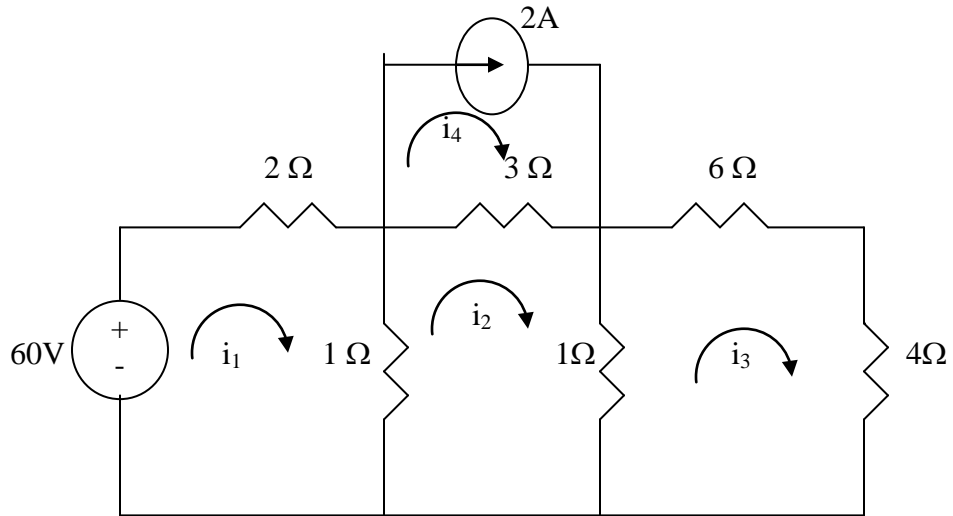


Figure 3.92
For Prob. 3.46

Chapter 3, Problem 48.

Determine the current through the 10-k Ω resistor in the circuit in Fig. 3.93 using mesh analysis.

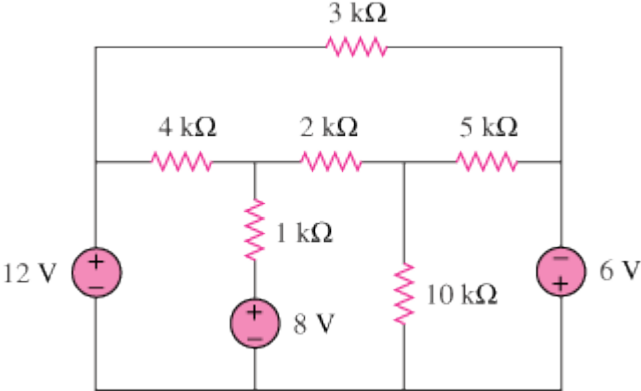


Figure 3.93

Chapter 3, Problem 58.

Find i_1 , i_2 , and i_3 the circuit in Fig. 3.103.

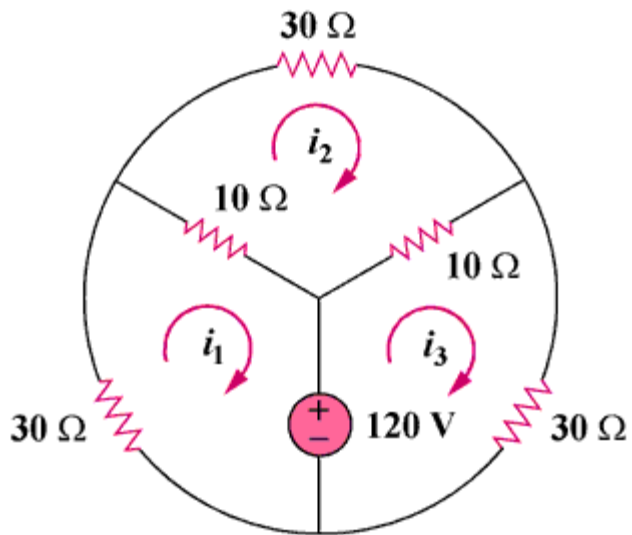


Figure 3.103