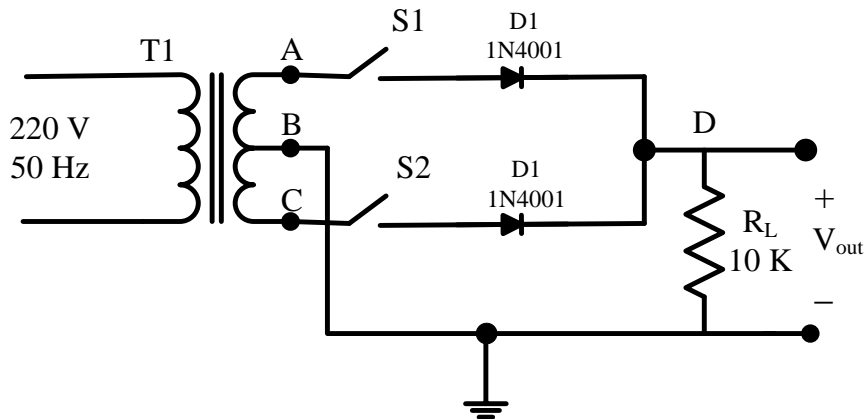


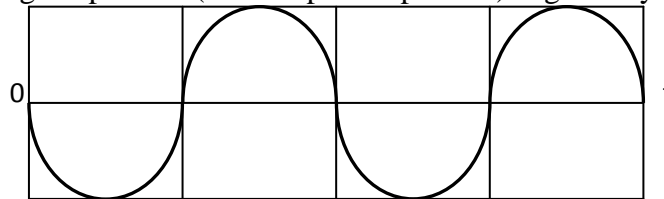
School of Information, Computer and Communication Technology
Sirindhorn International Institute of Technology
Thammasat University

ECS204 Quiz 6 Sample

1. Consider the circuit of rectifier shown below. Assume that diodes are ideal. The transformer's rating is 220/(12-0-12).



Suppose the voltage at point A (with respect to point B) is given by this waveform:



Pick the waveforms below to match the voltage at the specified point. Put your answers in the second column of the table.

i) The voltage at point C	
ii) The voltage at point D when S1 is open but S2 is closed.	
iii) The voltage at point D when S1 is closed but S2 is open.	
iv) The voltage at point D when S1 and S2 are closed.	

